


LODGE R4.00

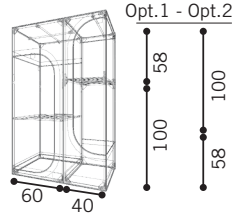
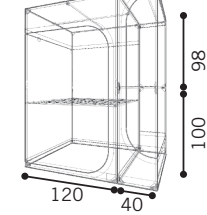
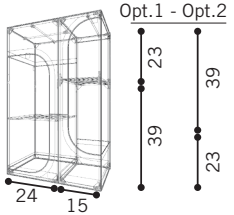
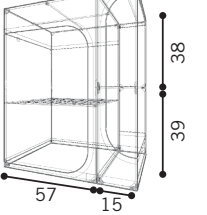
ONE BOX - TWO ENVIRONMENTS - THREE GROW AREAS

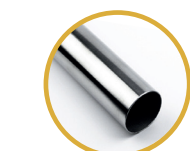


The Lodge grow tent uses the same technology as Dark Street and features 3 grow spaces: The left side is designed for plants measuring 50 to 150cm (20 to 60in) tall, and the two spaces on the right are designed for plants less than 80cm (30in) tall. It features DUCTING FLANGES (DF16) for managing intake/exhaust. With the addition of a LIGHT BAFLE (DF16LB) between the spaces on the left and right, a single extractor can be used for all three spaces. The Lodge grow tent comes in a sturdy carrying bag and includes everything you need to install the complete system quickly.

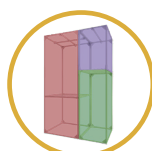
REFERENCE	DESIGNATION METRIC	DESIGNATION IMPERIAL	VIDEO
L100	Lodge 100x60x158 cm	Lodge 3 1/3' x 2' x 62"	
L160	Lodge 160x120x198 cm	Lodge 5 1/4' x 4' x 78"	

GENERAL DETAILS

	METRIC	IMPERIAL
Canvas	M210D Mylar	M210D Mylar
Poles	Ø16/19 mm Q195 Chrome plated	Ø0.63/0.75" Q195 Chrome plated
Corners	2.0/4.0 mm PolyPropylene	0.07/0.15" PolyPropylene
Water Tray	Removable M210D Mylar	Removable M210D Mylar
Bottom & Bag	PE600D & PE210D	PE600D & PE210D
Size spaces	<p>L100</p>  <p>L160</p> 	<p>L100</p>  <p>L160</p> 



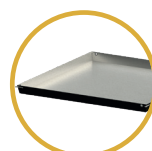
Q195 Steel
Ø16-19mm | Ø0.63-0.75in



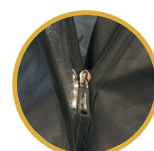
1 Extractor / 3 Rooms
Full plant access



Fully Pre-equipped
Adapt to your needs



Water tray
Strong & Removable



100% Lightproof
Double-flap zip

SPECIFICATION & ADVISED : METRIC

LODGE REF	DESIGNATION	REV	WGT Net kg	ASSEMBLED W cm	D cm	H cm	POLES Ø mm	WEB PLANT Support Included	WATER TRAY Included	DUCTING FLANGES INCLUDED Support Flange	Connector Ø	Light Baffle #	CABLE Flange CF7 #	HANDLING #	L cm	Weight Per Pole	Weight Per Tent	StrapT Pair #	CableT #	Grid6040 #	
L100	Lodge 100 x 60 x 158 cm	R4.00	13.5	100	60	158	16	1 WEBTH160	1 WTR120	4 DF16	Ø100	2	2	3	60	10 kg	30 kg	-	-	15	1
L160	Lodge 160 x 120 x 198 cm	R4.00	21,0	160	120	198	16	1 WEBTH120	1 WTR120	4 DF16	Ø100	2	2	3	120	10 kg	30 kg	-	-	15	2

SPECIFICATION & ADVISED : IMPERIAL

LODGE REF	MONKEY FAN ADVISED	LIGHTING ADVISED Left Room LED PE2.7	RIGHT ROOM LED PE2.0	VOL m3	EXTRACTOR ADVISED WHEN FILTER ON (*) 1 min cycle	EXTRACTION Intake	2 min cycle	EXTRACTION Intake
L100	1 MF16	100 W	20W / Floor	0,6	150 m3/h	-	80 m3/h	-
L160	1 MFC20	400 W	40W / Floor	2,9	350 m3/h	-	250 m3/h	-

LODGE REF	DESIGNATION	REV	WGT Net lb	ASSEMBLED W in	D in	H in	POLES Ø in	WEB PLANT Support Included	WATER TRAY Included	DUCTING FLANGES INCLUDED Support Flange	Connector Ø in	Light Baffle #	CABLE Flange CF7 #	HANDLING #	L in	Weight Per Pole	Weight Per Tent	StrapT Pair #	CableT #	Grid6040 #	
L100	Lodge 3½' x 2' x 62"	R4.00	29,8	39	24	62	0,63	1 WEBTH160	1 WTR60	4 DF16	Ø4 in	2	2	3	24	20 lb	60 lb	-	-	15	1
L160	Lodge 5½' x 4' x 78"	R4.00	46,3	63	47	78	0,63	1 WEBTH120	1 WTR120	4 DF16	Ø4 in	2	2	3	47	20 lb	60 lb	-	-	15	2

LIGHT LEVEL VS GROW STAGE



info@secretjardin.com



Secretjardin_



Secret Jardin Official



Secret Jardin



secretjardin.com